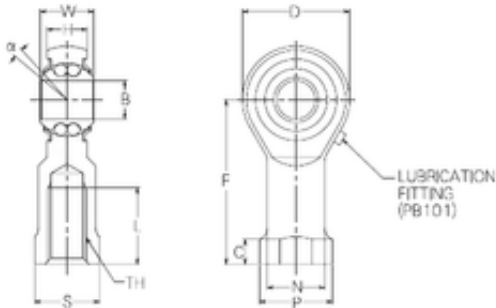


PBR12FN NMB Self Aligning Ball Bearings



Bearing No. PBR12FN

Bore Diameter	12 mm
Width	12 mm
d	12 mm
P	22 mm
B	12 mm
C	6,5 mm
D	32 mm
F	50 mm
H	12 mm
L	22 mm
N	17,5 mm
S	19 mm
W	16 mm
Angle	7,5 °
Thread (TH)	M12 x 1,75
Weight	107 Kg
Basic dynamic load rating (C)	4,95 kN

PBR12FN Bearing 2D drawings and 3D CAD models